

联容公司版权所有。如有变动，恕不事先通知。  
All rights reserved.  
Subject to change without notice.

# NH

系列刀型触头熔断器  
Series NH fuses with blade contacts



Website: [www.lrongxk.com](http://www.lrongxk.com) Xiamen Lrongxk Electrical Co., Ltd. 2024-V1.0



**NH** 系列刀型触头熔断器主要用于额定电压至交流500V\*，额定电流至1600A的配电系统中作为线路和电缆的过载保护和短路保护。本系列熔断器能与国外符合IEC、DIN标准的同类熔断器完全互换。

**Series NH fuses with blade contacts** are mainly used in distribution system of rated voltage up to 500V AC and rated current up to 1600A for the protection of line and cables against all damages from fault currents between overload and short circuit. This series fuses achieve full exchange ability with similar fuses on domestic and international markets.

## 特色 Features

- 特殊设计的变截面尺寸熔体，以及起“M-效应”作用的低熔点合金在位置、形状、和定量上的精确配置，降低了熔断体功率损耗，形成理想的多段保护特性。
- 高强度致密型瓷管具有极好的耐冷热巨变和抗冲击性能。
- 有较高烧结温度的高纯度石英砂作灭弧介质。
- 整体冷锻成型触刀，结构强度和导电性能良好。
- 多种形式的底座可供选择使用。
- *The particular design of variable section size of the fuse-element and the accurate configuration of low melting point alloy taking metallurgic effect in respect of the position, shape, and amount have lowered the power dissipation and formed ideal protection characteristics.*
- *The high strength dense alumina ceramic tubes have excellent performance against abrupt temperature change and resistance to impact.*
- *High purity quartz sand with comparatively high sintering temperature is used as arc extinguishing medium.*
- *The integral blade contacts are shaped with cold forging, which has good structure strength and fine electrical conductivity.*
- *Varies forms of fuse-base are available to meet different needs.*

\* 部分尺码的电压至400V、690V。

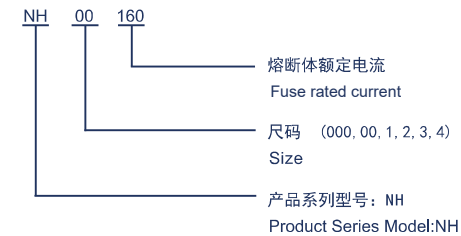
\* Voltage up to 400V, 690V for some sizes.



## 型号含义

## Model denomination

## 型号及含义 Model denomination



## 符合标准

## Compliance with standards

- IEC 60269.2-2013 《低压熔断器 第2部分：专职人员使用的熔断器的补充要求》  
Low-voltage fuses—Part 2: Supplementary requirements for fuses for use by authorized persons
- GB/T 13539.2-2015 《低压熔断器 第2部分：专职人员使用的熔断器的补充要求》  
Low-voltage fuses—Part 2: Supplementary requirements for fuses for use by authorized persons

## 熔芯-开关配对表

## Fuse link - switch matching table

尺码	额定电压 (V)	分断能力 (kA)	额定电流 (A)	适用开关		
000	DC250	100(DC250V)	2、4、6、10、16、 20、25、32、40、50 63、80、100	XKQR-63, XKQR-125, XKQR-160 QSA-63, QSA-125, XKQG-100		
	AC500	120(AC500V)				
	AC690	50(AC690V)				
00	DC250	100(DC250V)	125、160	XKQR-125, XKQR-160 QSA-125, QSA-160, XKQG-160		
	AC500	120(AC500V)				
	AC690	50(AC690V)				
1	DC440	100(DC440V)	125、160、200、250	XKQR-250, XKQR-400 XKQG-250, QSA-250		
	AC500	120(AC500V)				
	AC690	50(AC690V)				
2	DC440	100(DC440V)	200、250	XKQR-250, QSA-400, QSA-250, QSA-400, XKQG-400		
	AC500	120(AC500V)	315、355、400			
	AC690	50(AC690V)				
3	DC440	100(DC440V)	400、500、630	XKQR-630, XKQR-800, QSA-630, QSA-800, XKQG-630		
	AC500	120(AC500V)				
	AC690	50(AC690V)				
4	AC400	100	800	XKQR-800, QSA-800		
	DC440	50(DC440V)	800、1000	XKQR-1000, XKQR-1250, QSA-1000, QSA-1250, XKQR-1600		
					AC690	100(AC690V)
AC400	100	1600	XKQR-1600			

技术参数 Technical Data

主要技术指标 Technical data

产品标准	Product standard	GB/T 13539, IEC 60269
额定电压 *	Rated voltage(V)	AC690V/AC500V/AC400V DC250V/DC440V
分断范围和使用类别	Breaking range and utilization category	gG
额定绝缘电压	Rated insulating voltage(V)	AC690
额定分断能力 *	Rated breaking capacity(kA)	120
过电流选择性(In≥16A)	Over-current discrimination(In≥16A)	1.6:1

注：具体视型号产品认证情况，具体参数详见样本P2熔芯开关配对表。  
Note: Depending on the type of product certification, details of the parameters are shown in the product brochure Page 2 Fuse-switch matching table.

熔断体 Fuse-link

尺码 Size	额定电流 Rated current (A)	尺码 Size	额定电流 Rated current (A)
000	2	2	125
	4		160
	6		200
	10		224
	16		250
	20		315
	25		355
	32		400
	40		315
	50		355
00	63	3	400
	80		425
	100		500
			630
	125		800
	160		800
			1000
1	80	4	1000
	100		1250
	125		1600
	160		
	200		
	224		
	250		

技术参数 Technical Data

熔断器底座 Fuse-base

尺码 Size	极数 Poles	额定电流 Rated current (A)	重量 Weight(Kg)
00	单极 Single Poles	160	0.23
	3极, 并列式 3 - pole in parallel		0.46
	3极, 直列式 3 - pole in parallel		1.0
1	单极 Single Poles	250	0.64
	3极, 并列式 3 - pole in parallel		2.0
2	单极 Single Poles	400	0.67
3	单极 Single Poles	800	0.92

附件 Accessories for fuse-base

底座附件 Accessories for fuse-base

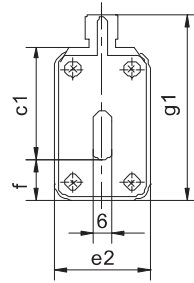
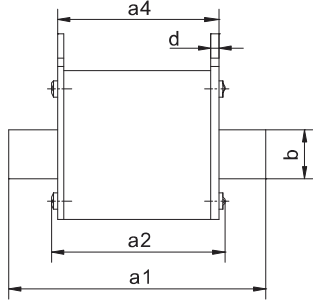
尺码 Size	名称 Name	用途说明 Usage notes
00	隔板 Clapboard	用于00号单级底座之间, 隔板与底座紧靠安装 For size 00 single-pole bases.
1	隔板 Clapboard	用于1号单级底座之间, 需结合1号支持件使用 For size 1 single-pole base with support.
2	隔板 Clapboard	用于2号单级底座之间, 需结合2号支持件使用 For size 2 single-pole base with support.
3	隔板 Clapboard	用于3号单级底座之间, 需结合3号支持件使用 For size 3 single-pole base with support.
1	支持件 Support	用于支撑极间隔板 For support clapboard
2	支持件 Support	用于支撑极间隔板 For support clapboard
3	支持件 Support	用于支撑极间隔板 For support clapboard

注：并列式3极底座中的极间隔板属于底座的组成零件。  
Note: clapboards in the 3-pole bases of side are belonged to the parts of bases.

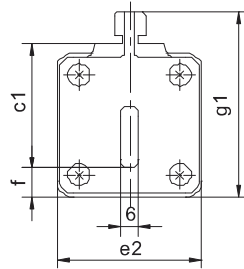
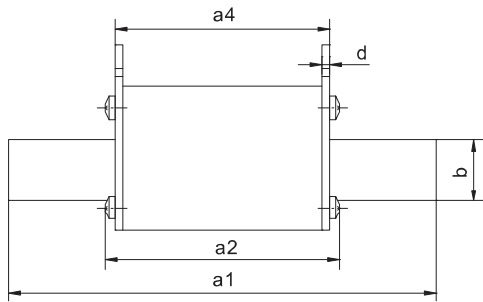
尺码000~3熔断体

Fuse-link size 000~3

尺码000/00熔断体



尺码1~3熔断体



尺码000~3熔断体

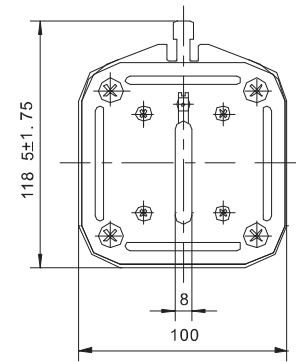
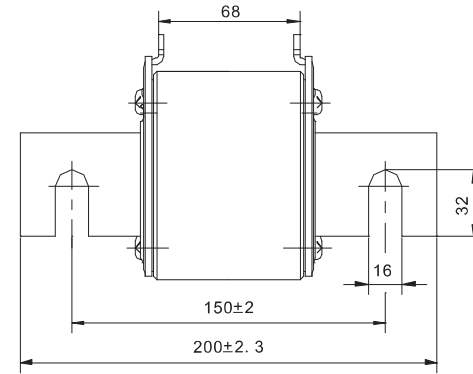
Dimensions of fuse-links size 000~3

尺码 Size	a1	a2	a4	b	c1	d	e2	f	g1	额定电流 Rated current (A)
000	78.5	54	49	15	35	2	21	7.5	53	4~100
00	78.5	54	49	15	35	2	30	12.5	58	125~160
1	135	74	68	20	40	2.5	48	9	59	80~250
				25	48		57	12.5	71	125~250
2	150	74	68	25	60	2.5	57	12.5	83	315~400
				32	60		70	15	85	425~630, 800

尺码4 熔断体

Fuse-link size 4

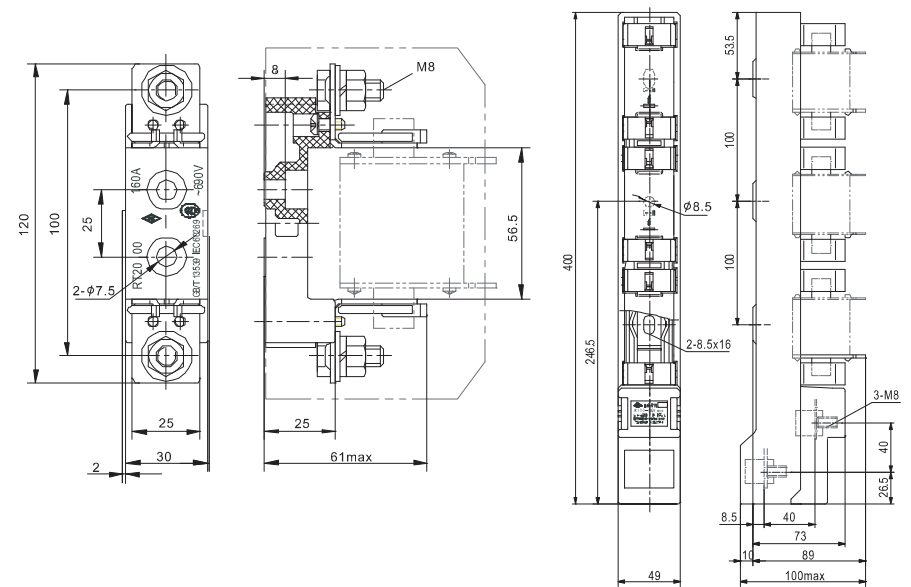
尺码4 熔断体



熔断器底座

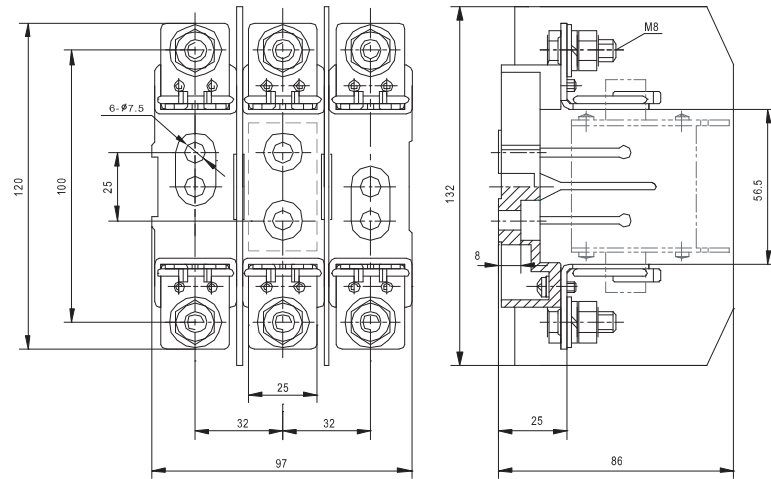
Fuse-base

尺码00 底座 (单极/3极直列式) size 00 Base(single pole/3 in vertical)



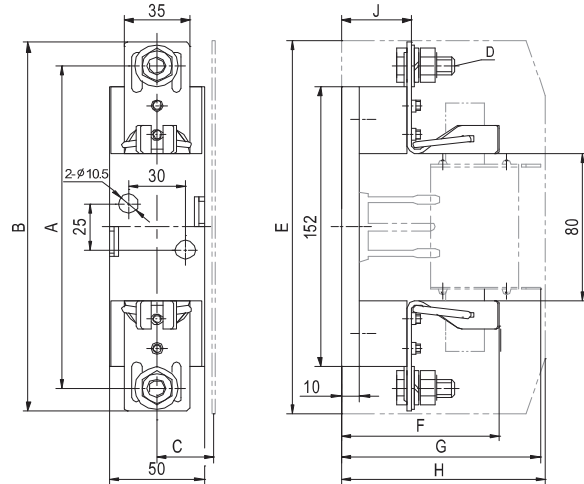
尺码00 底座 (3极并列式)

size 00 Base(3-pole in parallel)



尺码1~3 单极底座

size1~3 Single pole fuse-base



尺码1~3单极底座尺寸

Dimensions of single fuse-base size 1~3

mm

尺码 Size	A	B	C	D	E	F	G	H	J
1	175	200	30	M10	203	84	105	108	37.5
2	200	225	35	M10	228	90	113.5	117	37.5
3	210	240	40	M12	243	98.5	125.5	131	40

尺码1 底座 (3极并列式)

size 1 Base(3-pole in parallel)

